

# SOUNDSOLUTION WITH VAPOR BLOC™

## PREMIUM ACOUSTICAL UNDERLAYMENT FOR LAMINATE & WOOD FLOORS

### DESCRIPTION

Sound Solution with Vapor Bloc Premium Acoustical Underlayment featuring Self Sealing Lip & Tape System.

### STYLE / SKU

SSVB450 – 6' x 75' roll, 450ft<sup>2</sup> (1.83m x 22.86m roll, 41.81m<sup>2</sup>)  
Rolls sold individually with 4" (10.16cm) ID Core.

SSVB4900P – 3' x 33'4" roll, 100ft<sup>2</sup> (.91m x 10.15m roll, 9.29m<sup>2</sup>)  
49 rolls sold per palletized box, 4,900ft<sup>2</sup> (455.22m<sup>2</sup>)

### MATERIAL

Frothed Polyurethane Foam with Tri-Extruded Vapor Barrier.

### THICKNESS

0.085" (2.16mm)

### DENSITY

20lbs/ft<sup>3</sup> (320.37kg/m<sup>3</sup>)

### SOUND RATING

Impact Insulation Class (ASTM E492-90) ..... 73 IIC\*

### MOISTURE RATING

Water Vapor Transmission (ASTM E96-10) ..... 0.46  
Suitable for all installations including concrete and below grade.

### INSULATION RATING

R-Factor (ASTM C518-10) ..... 0.36  
Excellent for radiant heated floors.

### FIRE RATING

NBS Smoke Chamber ..... <100 max  
Pill Test (FF 1-70) ..... Pass

### DURABILITY

Compression Set ..... 7% max  
Tensile Strength ..... 100lbs/ft<sup>2</sup>  
Indentation Load Deflection (25%) ..... 32lbs/ft<sup>2</sup>  
Indentation Load Deflection (65%) ..... 200+lbs/ft<sup>2</sup>

### INSTALLATION

Install utilizing floating or nail-down installation method with the film side up, fabric side down. **NOTE:** Nail-down installation method compromises vapor barrier.

### WARRANTY

Warranted for equal term to that of the primary floor covering. Warranty valid over sub-floors with up to 10lbs / 1000ft<sup>2</sup> / 24hrs of vapor emissions per ASTM E-96-10.

### RENEWABLE CONTENT

Incorporates eco-friendly soy-based technology replacing an equal amount of fossil fuel petrochemicals. This reduces both global warming emissions and foreign oil usage while supporting farmers and local producers. Applicable towards LEED Credit MR 6.0 - Rapidly Renewable Resources.

### INDOOR AIR QUALITY

Third party tested and certified as a low VOC interior building material. GREENGUARD Indoor Air Quality Certified® is your assurance of the very best indoor air quality. Certified safe for children's areas. Applicable towards LEED Credit EQ 4.3 – Low Emitting Product.

### ANTIMICROBIAL PROTECTION

Ultra-Fresh® Antimicrobial properties are built-in to protect the underlayment from mold, mildew and bacteria.

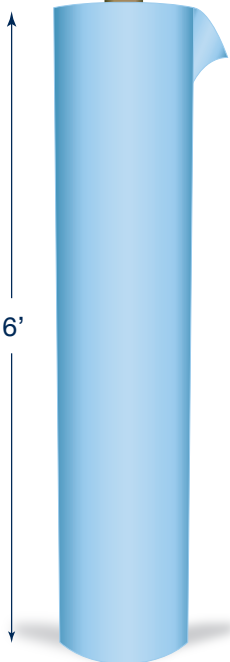
### RECYCLABLE

Zero-Landfill manufacturing waste, all materials are reused in products with recycled content. Post consumer recyclable.

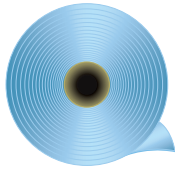
\*The result of the Impact Insulation Classification (IIC) test is influenced by the complete floor/ceiling construction. Additional sound tests with different configurations are available upon request.

**NOTE: Specification values subject to a 7% manufacturing tolerance.**

**SSVB450**



6'



11"  
Roll Diameter

**ROLL SPECIFICATIONS**

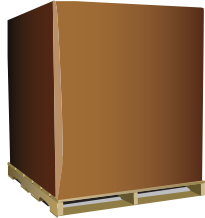
**Roll Size**  
6' x 75' Roll (450ft<sup>2</sup>)

**Roll Weight**  
74lbs (33.57kg)

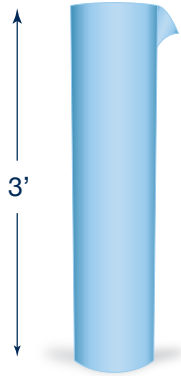
**Core Size**  
4" (10.16cm) ID Core

**Quantity**  
Rolls sold individually

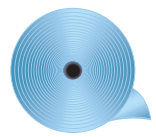
**SSVB4900P**



49 Rolls Per Palletized Box



3'



7"  
Roll Diameter

**ROLL SPECIFICATIONS**

**Roll Size**  
3' x 33'4" Roll (100ft<sup>2</sup>)

**Roll Weight**  
16.3lbs (7.39kg)

**Box Weight**  
848lbs (384.65kg)

**Core Size**  
No Core

**Quantity**  
49 Rolls Per Palletized Box

